



# 2905

## Pilot Cell for Liquid Insulating Materials



- 1,5 Insulation (epoxy)
- 2, 8...12 Connections, stainless steel
- 3 Connection for high voltage
- 4 Guard electrode, stainless steel
- 6 High-voltage electrode, stainless steel
- 7 Low voltage electrode, stainless steel
- 13 Socket for TETTEX cable no. 101

### GENERAL

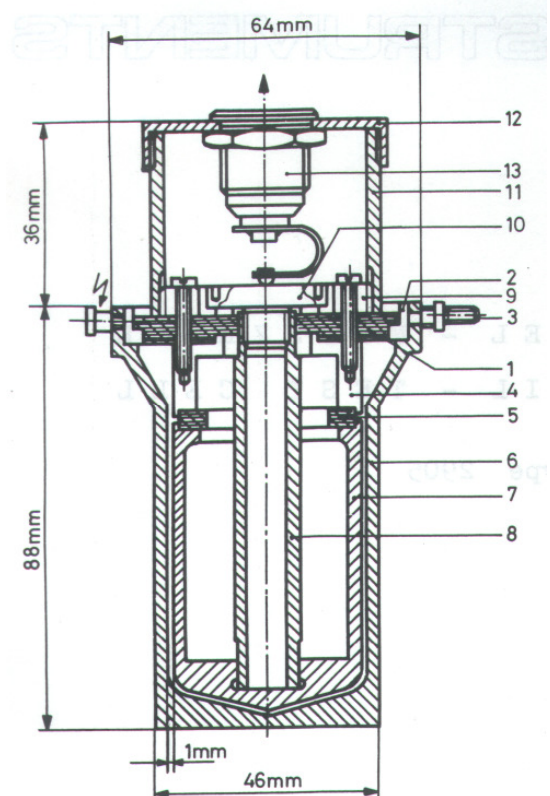
Tettex has developed this precision pilot cell for the accurate determination of the dissipation factor  $\tan \delta$  and the conductivity of liquid insulants, such as insulating oil, aso. For measurements at constant or varying temperatures, the pilot cell can be oven-controlled or oil-immersed. All metal parts are made of stainless steel. In order to avoid stray capacitances, the pilot cell is equipped with a shield.

### TECHNICAL DATA

Max. measuring voltage:	1'000 V, 50 Hz
Test-voltage:	1'500 V
No-load capacitance:	~ 70 pF
$\tan \delta$ (air):	$1 \times 10^{-4}$ (at 200 V, 50 Hz)
Max. working temperature:	120 °C
Liquid quantity:	~ 15 ml
Weight:	~ 1 kg (2.2. lb)

### ACCESSORIES

Thermostatic oven for several pilot cells on request  
 Check switch on request  
 1 cable no. 101 or special cable  
 1 pin wrench



### European Contact

Haefely Test AG  
 Lehenmattstrasse 353  
 4052 Basel  
 Switzerland  
 ☎ + 41 61 373 4111  
 ☎ + 41 61 373 4912  
 ✉ sales@haefely.com

Locate your local sales representative at

[www.haefely.com](http://www.haefely.com)

### USA Contact

Hipotronics Inc.  
 1650 Route 22  
 PO Box 414  
 Brewster, NY 10509 USA  
 ☎ + 1 845 279 8091  
 ☎ + 1 845 279 2467  
 ✉ sales@hipotronics.com

a brand of

**HAEFELY**



Haefely is a subsidiary of Hubbell Incorporated.

